



RICHTER

**VA1
CORDLESS VACUUM CLEANER**

USER MANUAL
DE, EN, HU, CZ, ES, EST, RU



PURELIFE



RICHTER

VA1
CORDLESS STICK VACUUM CLEANER

USER MANUAL – ENGLISH

Specifications

Battery Type	DC 25.9V, 2500mAh Li-ion battery
Charging Input	AC 100-240V, 50/60Hz 0.5A
Charging Time	4-5 hours
Dimensions	25 × 23 × 117 cm / 9.8 × 9.1 × 46.1 in
Weight	3.2 kg / 7.1 lb
Dust Bin Capacity	0.6 L
Runtime	40 minutes (Low)
Rated power	400 W

Package Contents

Vacuum Body
Stick with Flex
Combination Powerhead
Mini Motorised Tool
Telescopic crevice Tool
Flexible extension hose
Elbow Connector
2-in-1 Brush
Long Dusting Brush
Adapter
Battery
Holder for Charging Dock
Rod for Charging Dock
Charging Dock
Stand with Charger for Charging Dock
User Manual

IMPORTANT SAFETY INSTRUCTIONS

When using this vacuum, basic precautions should always be followed, including the following:

READ ALL INSTRUCTIONS

WARNING – To reduce the risk of fire, electric shock, or injury:

- Do not leave the vacuum unattended while it is on. Unplug from outlet when not charging and before servicing.
- Do not use outdoors or on wet surfaces.
- The vacuum is not a toy. Do not allow children to play with the vacuum.

- Close supervision is necessary when the vacuum is used by persons (including children) with reduced physical, sensory, or mental capacities, or lack of experience and knowledge, unless they have been given supervision or instruction on how to use the vacuum and understand the hazards involved.
- Only use the vacuum as described in this manual.
- Do not use your vacuum if it is damaged or not working correctly, or if the charger or plug is damaged. Do not try to repair it yourself. Contact Customer Support.
- Do not handle the charger or vacuum with wet hands.
- Do not put any object into any opening. Do not use the vacuum with any opening blocked. Keep free of dust, lint, hair, or anything that may reduce air flow.
- Keep hair, loose clothing, fingers, and all body parts away from openings and moving parts.
- Use extra care when cleaning on stairs.
- Do not vacuum the following or use where they may be present:
Large or sharp objects such as glass shards
Flammable or combustible liquids such as solvents or detergents
Inflammable or explosive substances such as gasoline or alcohol
- Risk of injury. Roller brush may start unexpectedly. Remove the main body before cleaning or servicing.
- Prevent unintentional starting. Ensure the switch is in the "Off" position before picking up or carrying the vacuum. Carrying the vacuum with your finger on the switch may cause accidents.
- Always turn the vacuum off before connecting or disconnecting the stick, nozzles, brushes, or vacuum head.
- Do not vacuum water or any liquids.
- Do not vacuum anything that is burning or smoking, such as cigarettes, matches, or hot ashes. Do not use without dust bin and filters in place. Do not point the vacuum at any person or animal while it is on.
- Store the vacuum on a small stand or flat surface, or hang it from the wall.
Do not use aftermarket or third-party accessories with the vacuum. Only use the accessories provided.
- This vacuum can be used by children 8 years and older as well as persons with reduced physical, sensory, or mental capabilities or lack of experience and knowledge if they have been given supervision or instruction concerning use of the humidifier in a safe way and understand the hazards involved.
- Children should not clean or perform maintenance on the vacuum without supervision.
- Children should be supervised to ensure that they do not play with the vacuum.

BATTERY AND CHARGER

WARNING: Read all safety warnings and instructions. Failure to follow the warnings and instructions may result in electric shock, fire, and/or serious injury.

- Do not pull or carry the vacuum by the charging cable, use the cable as a handle, close a door on the cable, or pull the cable around sharp edges or corners. Do not run any appliance over the cable.
- Do not pull on the cable to remove it from the outlet. Only use the plug to pull it out from the outlet.
- Never place the charger or its cable near any heat source.
- Keep the charging cable out of areas where people walk often. Place the cable where it will not be tripped over.
- Do not use the charger to charge other appliances besides this vacuum.

- Only recharge the vacuum with the charger specified by RICHTER Corporation. A charger that is suitable for one type of appliance may create a risk of fire when used with another battery pack. To request a new charger, contact Customer Support.
- Only use the battery pack specifically designed for this vacuum. Use of any other battery packs may create a risk of injury and fire.
- To request a new battery, contact Customer Support.
- When the battery pack is not in use, keep it away from other metal objects, like paper clips, coins, keys, nails, screws, or other small metal objects that can make a connection from one terminal to another. Shorting the battery terminals together may cause burns or a fire.
- Under abusive conditions, liquid may be ejected from the battery. Avoid contact. If contact occurs, flush with water. If liquid contacts eyes, immediately flush with water and seek medical help. Liquid ejected from the battery may cause irritation or burns.
- Do not use the battery pack or vacuum if they are damaged or modified. Damaged or modified batteries may exhibit unpredictable behavior resulting in fire, explosions, or risk of injury.
- Have servicing performed only by a qualified repair person using identical replacement parts. This will ensure that the safety of the vacuum is maintained.
- Do not modify or attempt to repair the vacuum or the battery pack except as indicated in the manual.
- Do not expose the battery pack or vacuum to fire or excessive temperatures. The battery used in this device may present a risk of fire or chemical burn if mistreated. Do not disassemble, short contacts, heat above 60°C (140°F), or incinerate.
- Follow all charging instructions and do not charge the battery pack or vacuum outside of the temperature range specified in the instructions. Charging improperly or at temperatures outside of the specified range may damage the battery and increase the risk of fire.

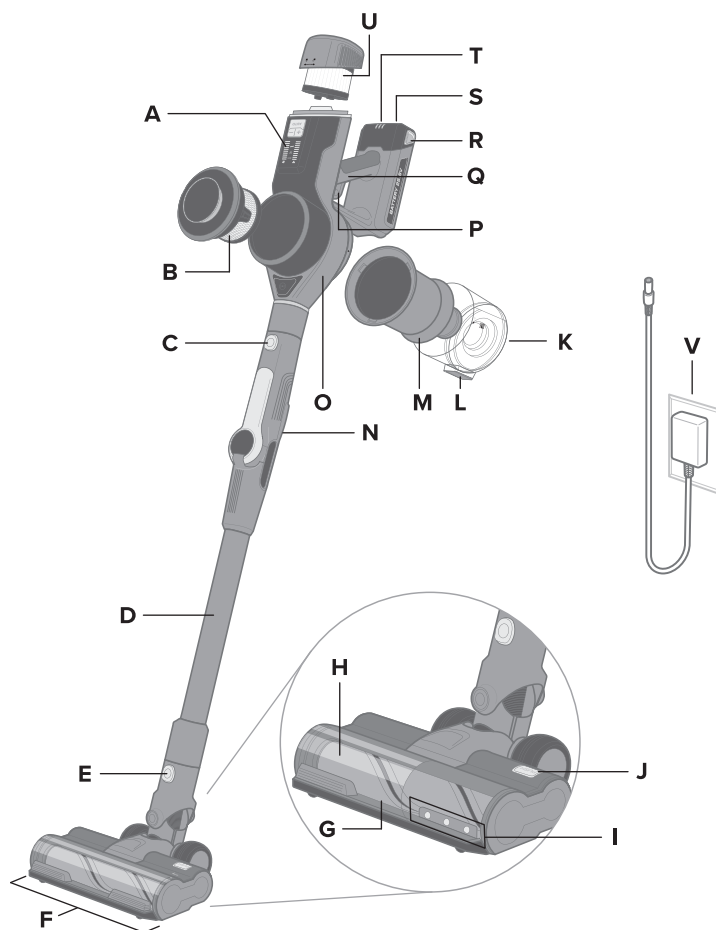
WARNING: For the purpose of recharging the battery, only use the detachable supply unit provided with this vacuum.

- The battery must be removed from the vacuum before it is scrapped.
- The vacuum must be disconnected from the supply mains when removing the battery.
- The battery is to be disposed of safely.
- Plug must be removed from the outlet before cleaning or maintaining the vacuum.

WARNING: Do not use with non-rechargeable batteries.

GETTING TO KNOW YOUR VAI

- | | |
|--------------------------------|-----------------------------|
| A. Control Panel | L. Dust Bin Release Button |
| B. HEPA-Type Pre-Filter | M. Metal Filter |
| C. Vacuum Body Release Button | N. Flex Button |
| D. Stick with Flex | O. Vacuum Body |
| E. Vacuum Head Release Button | P. On/Off Trigger |
| F. Vacuum Head | Q. Handle |
| G. Roller Brush Cushion | R. Battery Release Button |
| H. Roller Brush | S. Charging Port (Body) |
| I. LED Lights | T. Battery Indicator Lights |
| J. Roller Brush Release Button | U. HEPA- Type Main Filter |
| K. Dust Bin | V. Charger |



CONTROL PANEL

A. Auto Mode Button

Press to turn on Auto Mode. Automatically adjusts power to match the amount of dust. Increase or decrease power manually to exit Auto Mode.

B. Increase/Decrease Power

Press + or - to manually increase or decrease suction power.

C. Dust Level Indicator

Indicates the level of dust detected by the dust sensor.

D. Power Level Indicator

Indicates the level of vacuum suction power.

E. Auto Mode Indicator

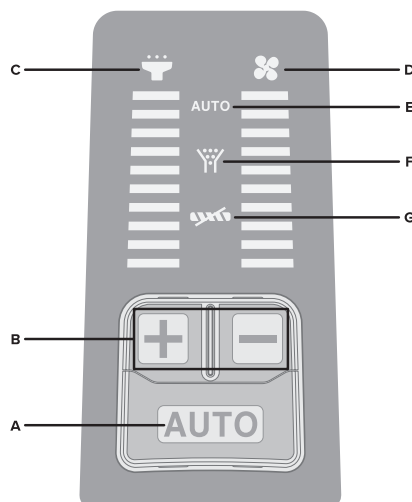
Indicates when Auto Mode is active.

F. Airflow Blockage Indicator

Indicates that the vacuum airflow is blocked.

G. Roller Brush Blockage Indicator

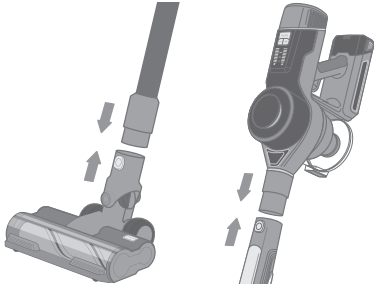
Indicates that the roller brush is blocked.



USING YOUR VACUUM CLEANER

1. Attach the vacuum head or nozzle attachment to the bottom of the stick and attach the vacuum body to the top of the stick

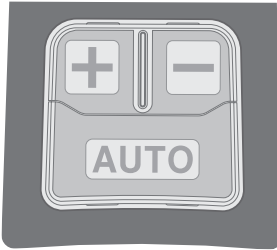
Note: There is a clicking sound when the parts are properly joined together.



2. Charge the vacuum.

Note: Fully charge the battery before first use.

3. Press the On/Off Trigger to turn the vacuum on. The vacuum will default to Auto Mode. Note: The vacuum will remember its previous mode and suction settings the next time it is turned on.
4. Press **AUTO** to use Auto Mode, or press + or - to manually control suction power.
5. Press the On/Off Trigger to turn the vacuum off.



BATTERY INDICATOR LIGHT CHART (DURING USE)

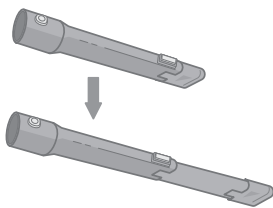
Battery Level	Battery Indicator
70-100%	
50-70%	□
20-50%	□□
0-20%	⚡ □□

NOZZLE ATTACHMENTS

Your vacuum comes with nozzle attachments to help you tackle almost any cleanup job. **Note:** Your vacuum model may not include all the attachments.

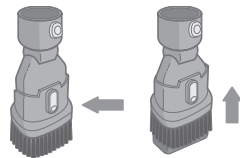
Telescoping Crevice Tool

Press button to extend the crevice nozzle. Use to clean hard-to-reach places. Good for reaching small cracks and crevices in furniture, the corners of a room, or a car.



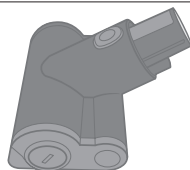
2-in-1 Dusting Brush

Press button to slide bristles up/down and switch between upholstery brush and duster. Use upholstery brush to clean soft furnishings and upholstery. Use bristles to clean dust and hard surfaces.



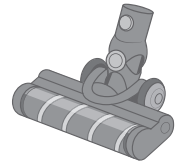
Mini Motorized Brush Tool

Good for tight spaces and delicate fabric surfaces, such as a bed, sofa, or carpeted stairs. Powerfully cleans carpet, upholstery, mattresses, and more.



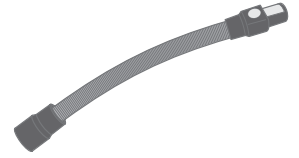
Combination power head

Motorised head effectively adjusts from carpet to hard floors while removing deeply embedded dirt, dust, hair, and pet dander. LED headlights provide visibility in dark spots.



Extension Hose

The flexible extension hose is perfect for cleaning narrow spaces, such as the interior of a car or between appliances. The hose works well with the crevice tool or dusting brush.



NOZZLE ATTACHMENT

To use a nozzle attachment:

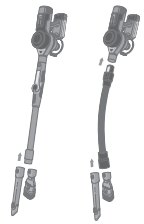
1. Press and hold the vacuum body. Release Button and gently pull the vacuum body from the stick.



2. Slide the crevice tool or dusting brush onto the vacuum body

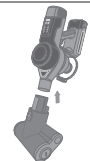


3. Optionally, leave the stick attached to the vacuum body and press the Vacuum Head Release Button to remove the vacuum head. Then, attach the nozzle or brush to the end of the stick.

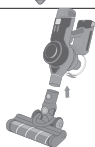


4. Optionally, remove the stick and attach the extension hose to the vacuum body. Then, attach the crevice tool or dusting brush to the end of the hose.

5. Slide the mini motorized brush tool onto the vacuum body to clean fabric surface.



Note: You can also attach the vacuum body directly to the vacuum head or the hard floor vacuum head.



AUTO MODE

Auto Mode utilizes **Intelligent Power Control Technology** which uses infrared sensors to automatically detect the amount of dust and debris that is traveling through the vacuum, and then adjusts the suction power to accommodate the amount of dust. If there is more dust, the suction power will be higher, and if there is less dust, the suction power will be lower.

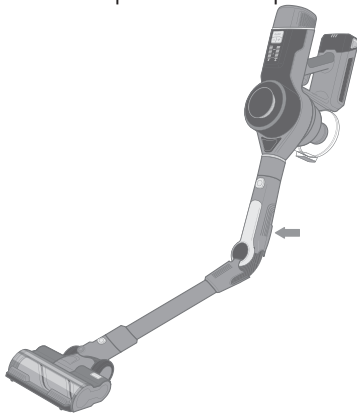
Dust Level	==	===	====	=====	=====
Power Level	1	2	3	4	5

FLEX FUNCTION

The flex function allows this vacuum to reach tight, hard-to-reach places, such as under a table or sofa.

1. Press the flex button on the stick. The stick will split into 2 connected sections.

- Grab the vacuum handle and carefully push down so the stick flexes into an L shape.
- When finished using the flex function, bring the 2 sections of the stick together and snap them back into place.



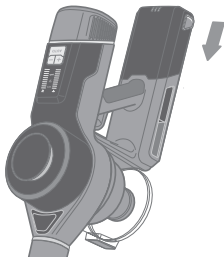
CARE & MAINTENANCE

Caution! Always turn off the vacuum before care or maintaining.

Battery Installation

- Turn the vacuum off. Press the Battery Release Button and remove the battery.
- To reinstall, slide the battery into the slot in the vacuum body.

There will be a clicking sound when the battery is properly installed.
Important: To maintain the life of the battery, store the vacuum in a cool, dry place. Store the battery in a semi-charged state (at least half charged).



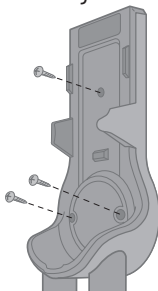
CHARGING THE VACUUM

Your vacuum uses a 2500mAh Li-ion battery. On a full charge, the battery lasts approximately 40 minutes on power level 1. Use the included charger and charging dock to charge the vacuum.

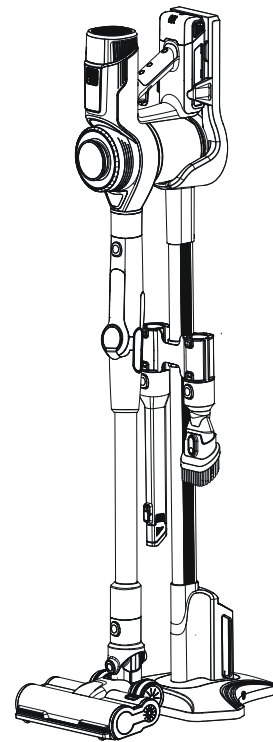
Important: Make sure the vacuum is turned off before charging.

Charging Wall Dock Installation

- Mount the charging dock by screwing it into the wall near a power outlet.



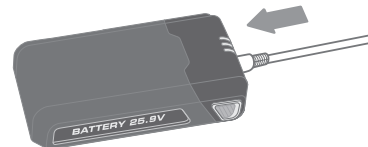
Important: The charging dock must be high enough on the wall to allow the vacuum to stand up.
 Make sure that the wall is free of gas pipes, water pipes, electrical cables, and wires.



- Insert the charger into the charging port on the dock. Plug the charger into the outlet.
- Hang the vacuum on the charging dock. The battery indicator lights will blink while charging.
 Note: The nozzle attachments can also be stored on the charging dock.
- When the vacuum is fully charged, the 3 battery indicator lights will turn solid.

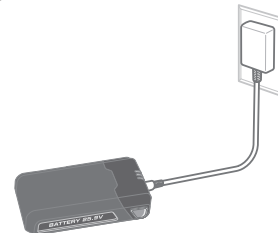
Alternatively, the batteries can be charged separate from the vacuum body.

- Press the Battery Release Button to remove the battery.
- Insert the charger into the charging port on the battery.



- Plug the charger into an outlet. The battery indicator lights will blink while charging.

Important: Charging time is about 4-5 hours.



BATTERY INDICATOR LIGHT CHART (WHILE CHARGING)

Battery Level	Battery Indicator
0-30%	
30-60%	
60-85%	
85-100%	

Warning:

- **Only** charge the battery with the charger specified by RICHTER.
- If you are not using the battery for an extended period, store it in a cool, dry place.
- Store the battery in a semi-charged state (at least half charged) and maintain this by charging the battery every 3 months.
- If you need an additional battery, contact **Customer Support**.

Disposing of the Battery

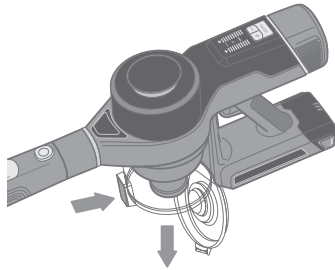
- The battery contains materials that are harmful to the environment and must be removed from the vacuum before it is discarded.
- When removing the battery, the vacuum must be turned off.
- Discarded batteries should be handled properly. **Do not** put batteries into fire, water, or soil.
- If battery leakage touches skin or clothing, flush with water immediately to avoid skin injury and seek medical help.

EMPTYING THE DUST BIN

When dust in the dust bin reaches the MAX line, empty the dust bin.

Important: Do not overfill the dust bin. If the dust bin is too full, it may affect the performance of the vacuum.

1. Turn the vacuum off. Remove the vacuum body by pressing the Vacuum Body Release Button.
2. Hold the dust bin over a trash can and press the Dust Bin Release Button. Use caution, as the door will automatically open when the release button is pushed. Holding the dust bin inside a trash can prevent dust from spilling out.
3. Empty out debris and dirt, then close the door.



CLEANING

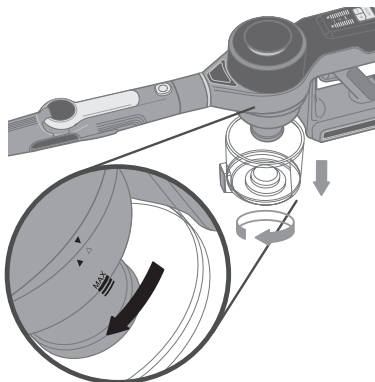
Cleaning the Vacuum Body

1. Turn the vacuum off.
2. Wipe the vacuum body down with a damp cloth.
3. Allow the vacuum body to completely dry before using.

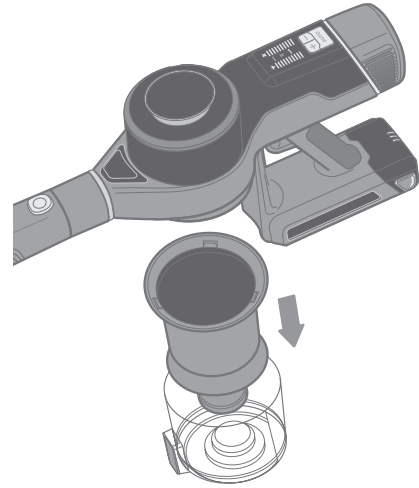
Important: Do not allow water to enter the internal parts or motor of the vacuum.

Cleaning the Dust Bin & Metal Filter

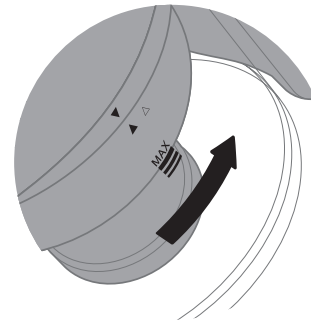
1. Make sure the vacuum is off and the dust bin is completely empty before cleaning (see Emptying the Dust Bin).
2. Rotate the dust bin clockwise to remove it. Empty out any remaining dust and debris.



3. Rotate the metal filter clockwise to remove it.



4. Rinse the dust bin and metal filter with water and allow them to dry. Make sure the parts are completely dry before using.
5. Reattach the metal filter and dust bin to the vacuum body. **Important:** Do not allow water to enter the internal parts or motor of the vacuum.



CARE & MAINTENANCE

Cleaning the HEPA-Type Filters

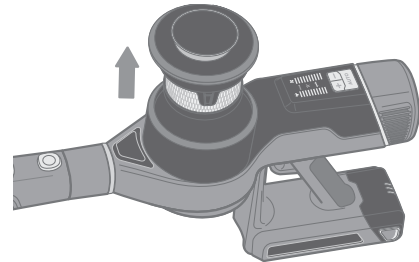
To maintain the performance of your filters, they should be routinely washed and replaced.

- The pre-filter should be washed once a month and replaced after 6 months.
- The main filter should be washed once every 6 months and replaced after 1 year.
- Never operate the vacuum without the dust bin or filters properly installed.
- Frequent use may require cleaning the filters more often. Cleaning the filters regularly helps maintain your vacuum's cleaning performance.
- You may need to replace the filters more frequently depending on your use and environment.
- If the surrounding humidity is high, please allow the filters to air-dry for a longer period of time before reinstalling them back into the vacuum.

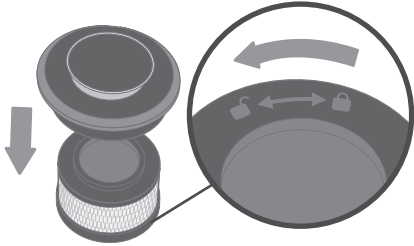
Replacement Filters: To maintain the performance of your vacuum, only use official RICHTER filters.

HEPA-Type Pre-Filter

1. Pull up on the pre-filter housing to remove it from the top of the vacuum body.



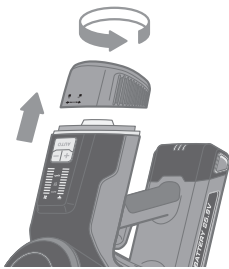
2. Rotate the pre-filter anticlockwise to remove it from the housing.



3. Gently tap the pre-filter over a trash can to remove dust and debris.
4. If necessary, run the pre-filter under running water to wash it. Allow it to air-dry completely for 24 hours under the sun or in a dry, ventilated place before reinstallation.

HEPA-Type Main Filter

1. Rotate the main filter housing anticlockwise to remove it from the back end of the vacuum body.
2. Rotate the main filter anticlockwise to remove it from the housing.
3. Gently tap the main filter over a trash can to remove dust and debris.
4. If necessary, run the main filter under running water to wash it. Allow it to air-dry completely for 24 hours under the sun or in a dry, ventilated place before reinstallation.



Cleaning the Mini Motorized Brush Tool

1. Use a coin to rotate the cap on the side of the roller brush anticlockwise. Pull out the roller brush.
2. Carefully use a pair of scissors or a sharp knife to remove any hair or debris tangled around the roller brush.
3. Insert the roller brush back into the brush tool and rotate the cap clockwise to lock it in place.

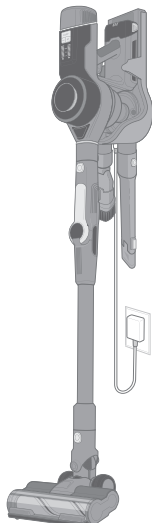
Cleaning the Hard Floor Vacuum Head

1. Use a coin or screwdriver to rotate the release button under the vacuum head anticlockwise. Pull out the roller brush.
2. Carefully use a pair of scissors or a sharp knife to remove any hair or debris tangled around the roller brush.
3. Insert the roller brush back into the vacuum head and rotate the release button clockwise to lock it in place.

STORAGE

When the vacuum is not in use, store it on the charging dock:

1. Mount the charging dock by screwing it into the wall (see Charging the Vacuum).
2. Hang the vacuum on the charging dock.



3. Place the nozzle attachments in the slots on the charging dock.

Important: Always store the vacuum on flat ground. If the vacuum is stored on a slanted surface it may fall and be damaged.
If storing for long periods of time, periodically charge the battery to preserve the life of the battery.

TROUBLESHOOTING

Problem	Possible Solution
Vacuum will not turn on	The battery is not installed correctly.
	Recharge the vacuum.
Vacuum is not charging	The vacuum motor overheated. Empty the dust container and check for blockage inside the vacuum head and stick. Remove any blockage and clean the filters. Allow the vacuum to cool for 1 hour before turning it back on.
	The charger is not properly plugged in or you are using the wrong charger. Use the provided RICHTER charger only.
Roller brush is not turning (light flashes)	Clean the roller brush and remove any debris blocking the brush.
Vacuum makes an abnormal noise	Clean the roller brush and remove any debris blocking the brush.
	Check for blockage inside the vacuum body, vacuum head, and stick. Remove any blockage.
Vacuum has low suction power	Battery may be low. Recharge the battery to full charge.
	Clean the roller brush and remove any debris blocking the brush.
	The dust bin and filters may be full. Empty the dust bin and clean the filters.
Light flashes	Check for blockage inside the vacuum body, vacuum head, and stick. Remove any blockage
	The dust bin and filters may be full. Empty the dust bin and clean the filters.
Vacuum releases a bad or unusual smell	Check for blockage inside the vacuum body, vacuum head, and stick. Remove any blockage
	The environment's relative humidity may be high or the vacuum may have absorbed water and caused the filter to grow mold. Replace the filters.
	The filters may be dirty. Clean the filters.
	The dust bin may be dirty. Empty and clean the dust bin.

Pure Life Deutschland GmbH
www.purelifehome.eu

Pure Life Hungária Kft.
1145, Budapest, Jávor utca 5/a
www.purelifehome.eu